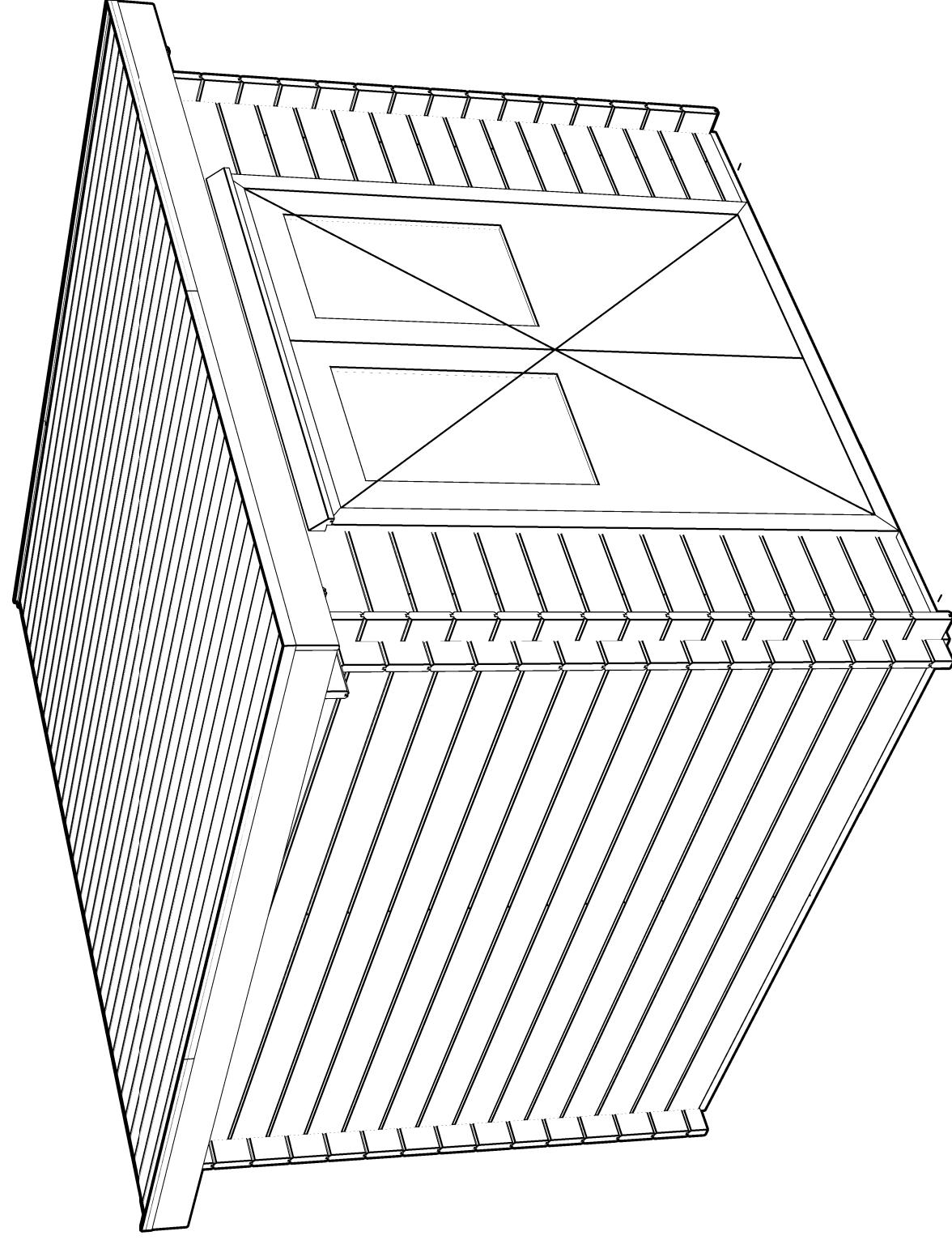
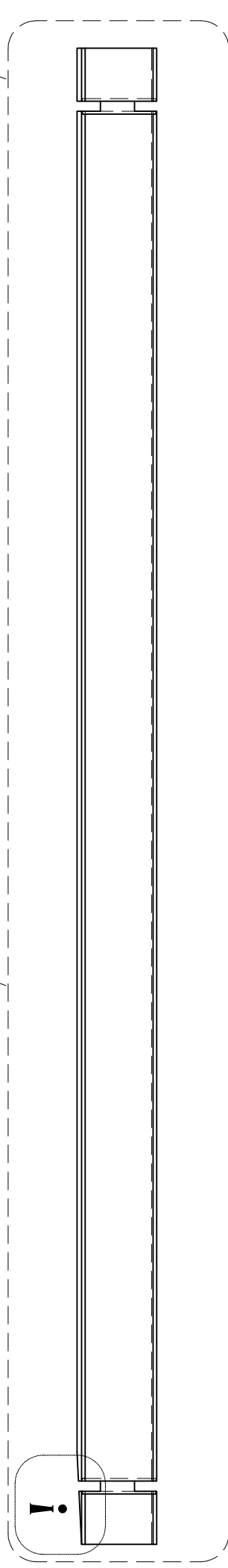
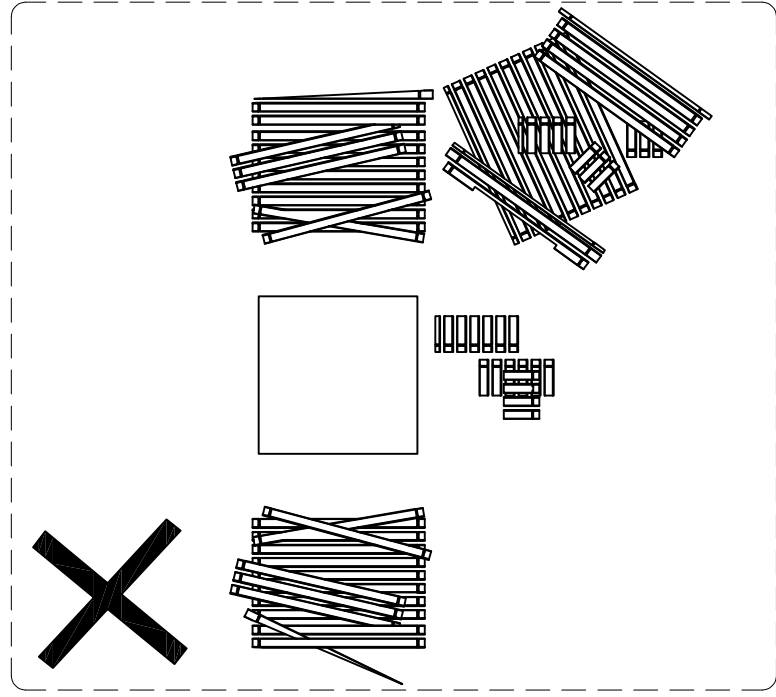
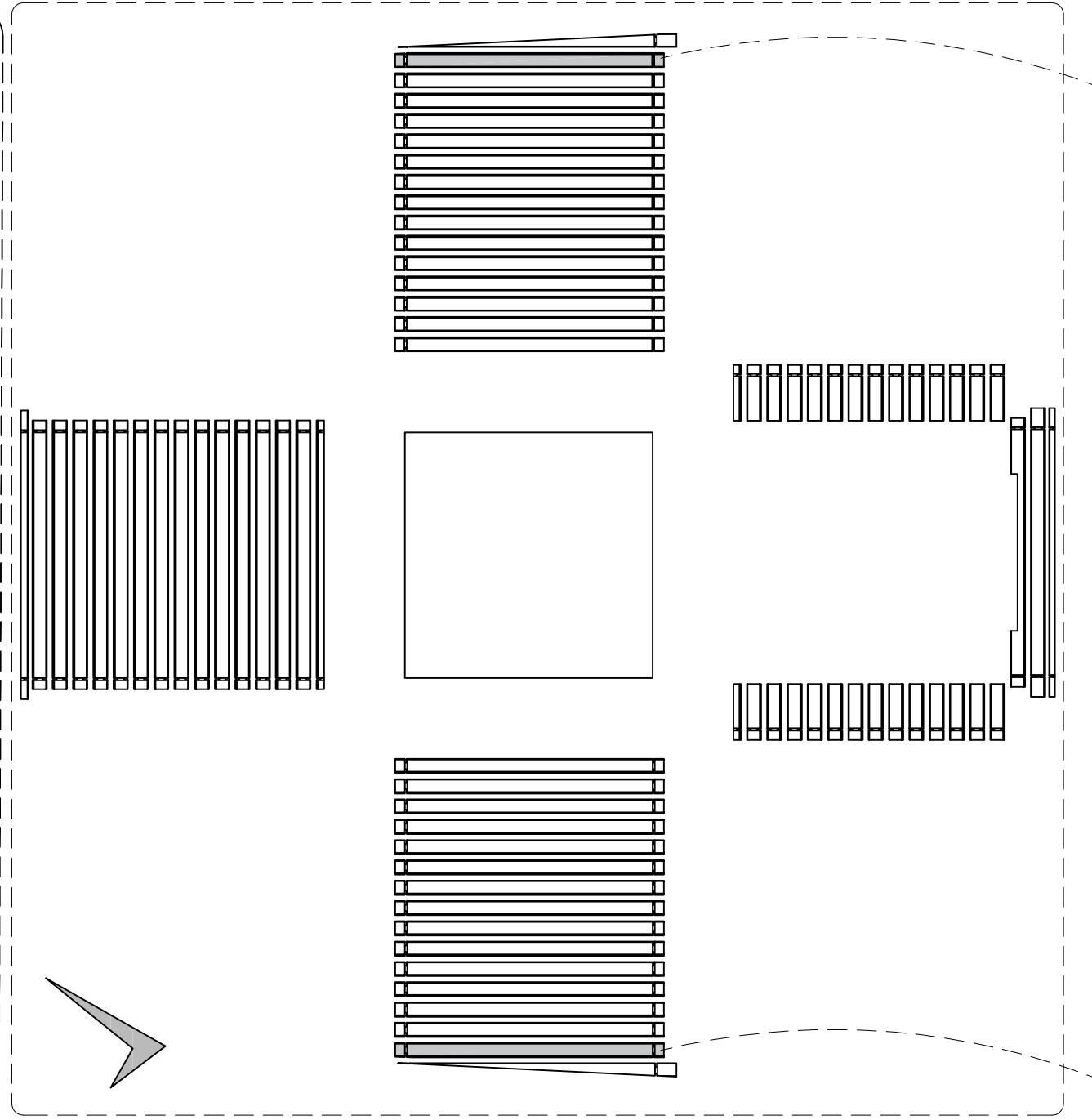
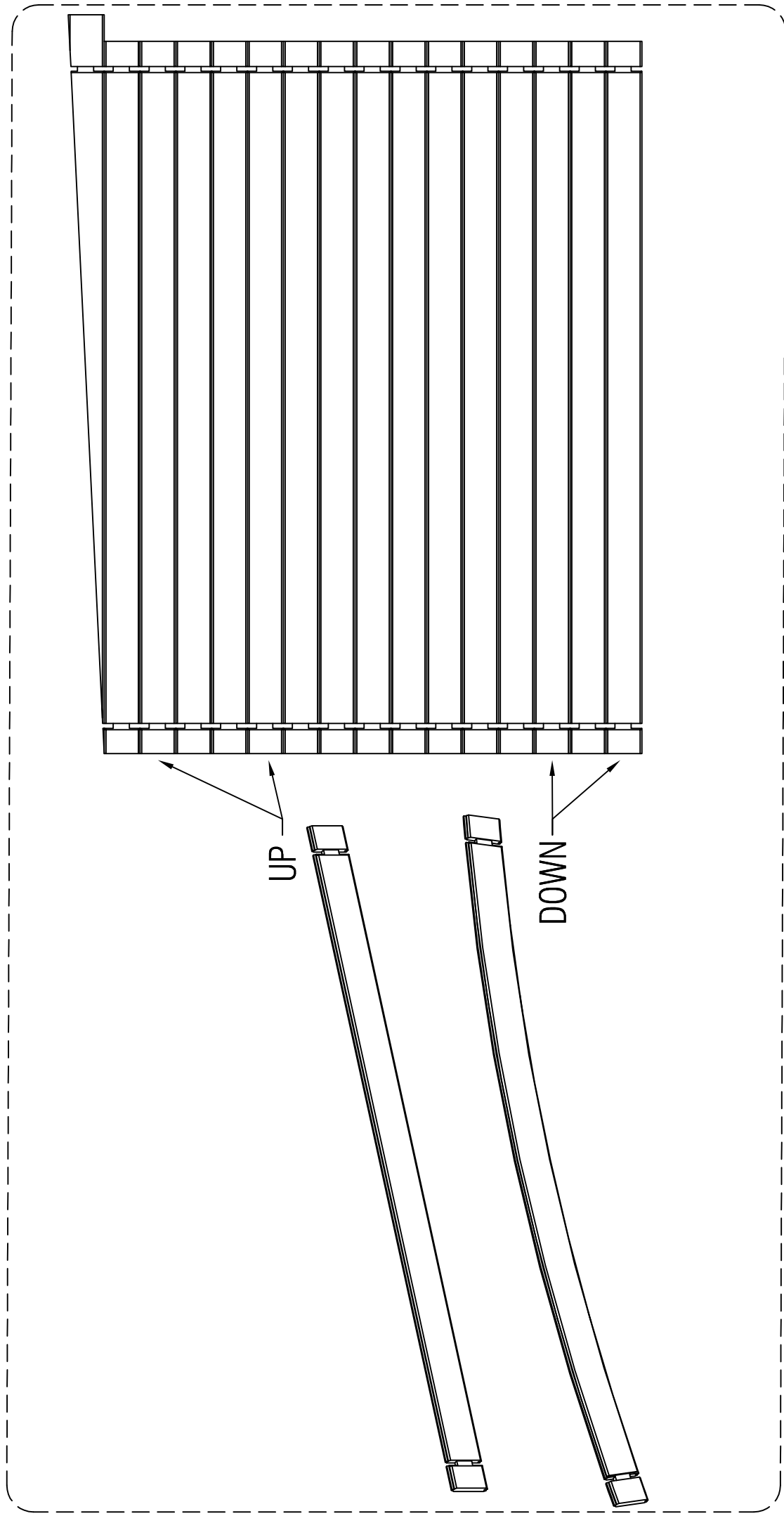


# BASIC - PENTROOF

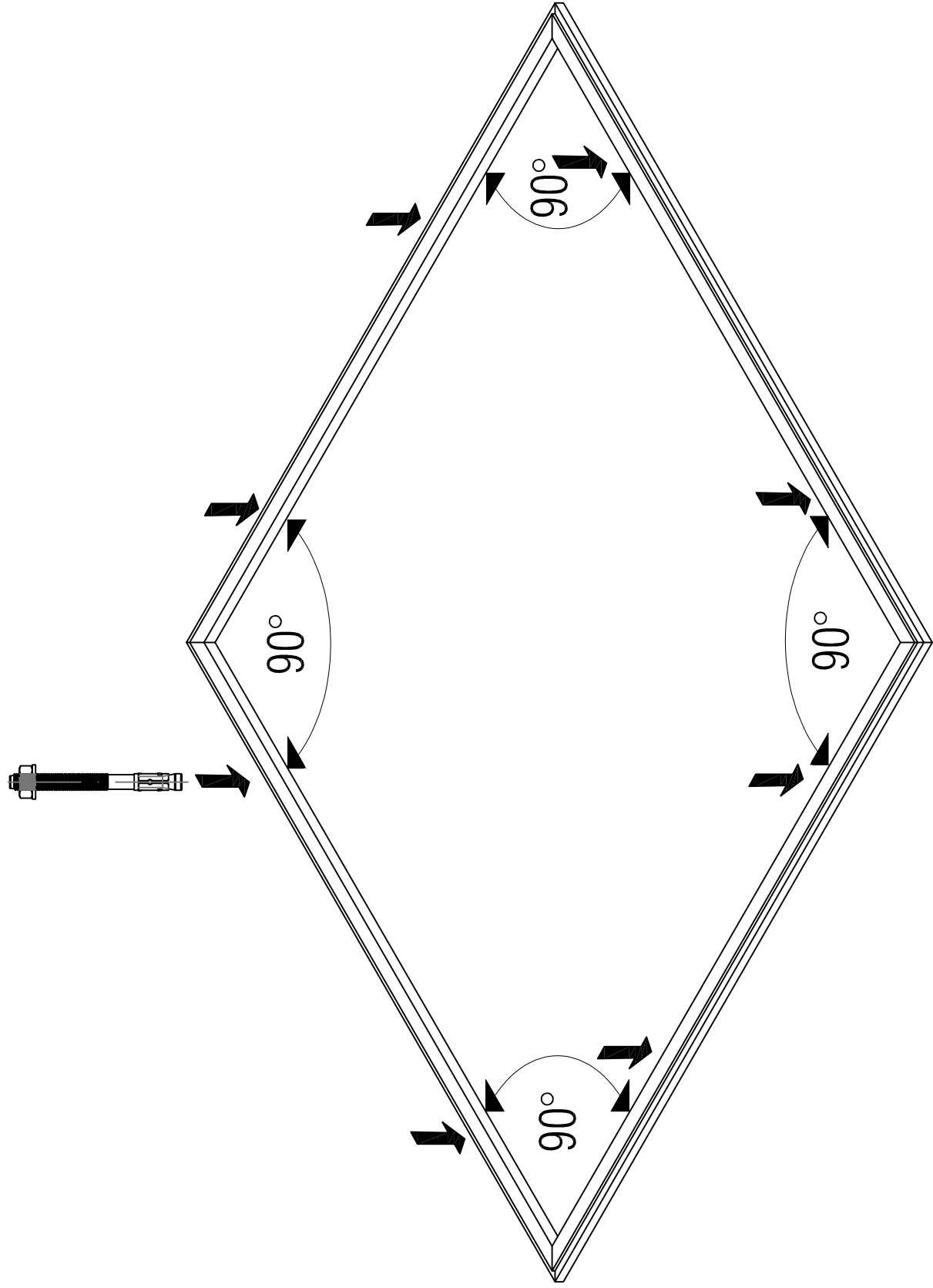
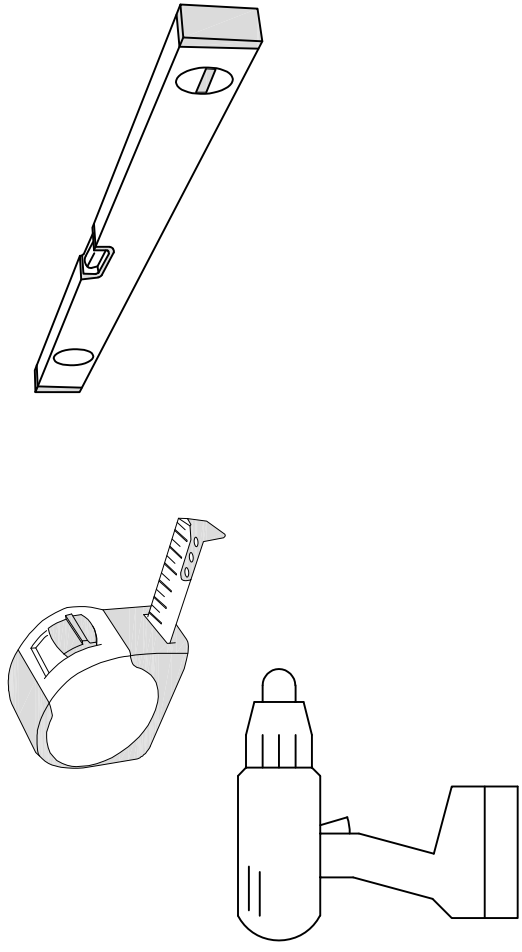
assembly instruction



# BASIC - PENT



# BASIC - PENT

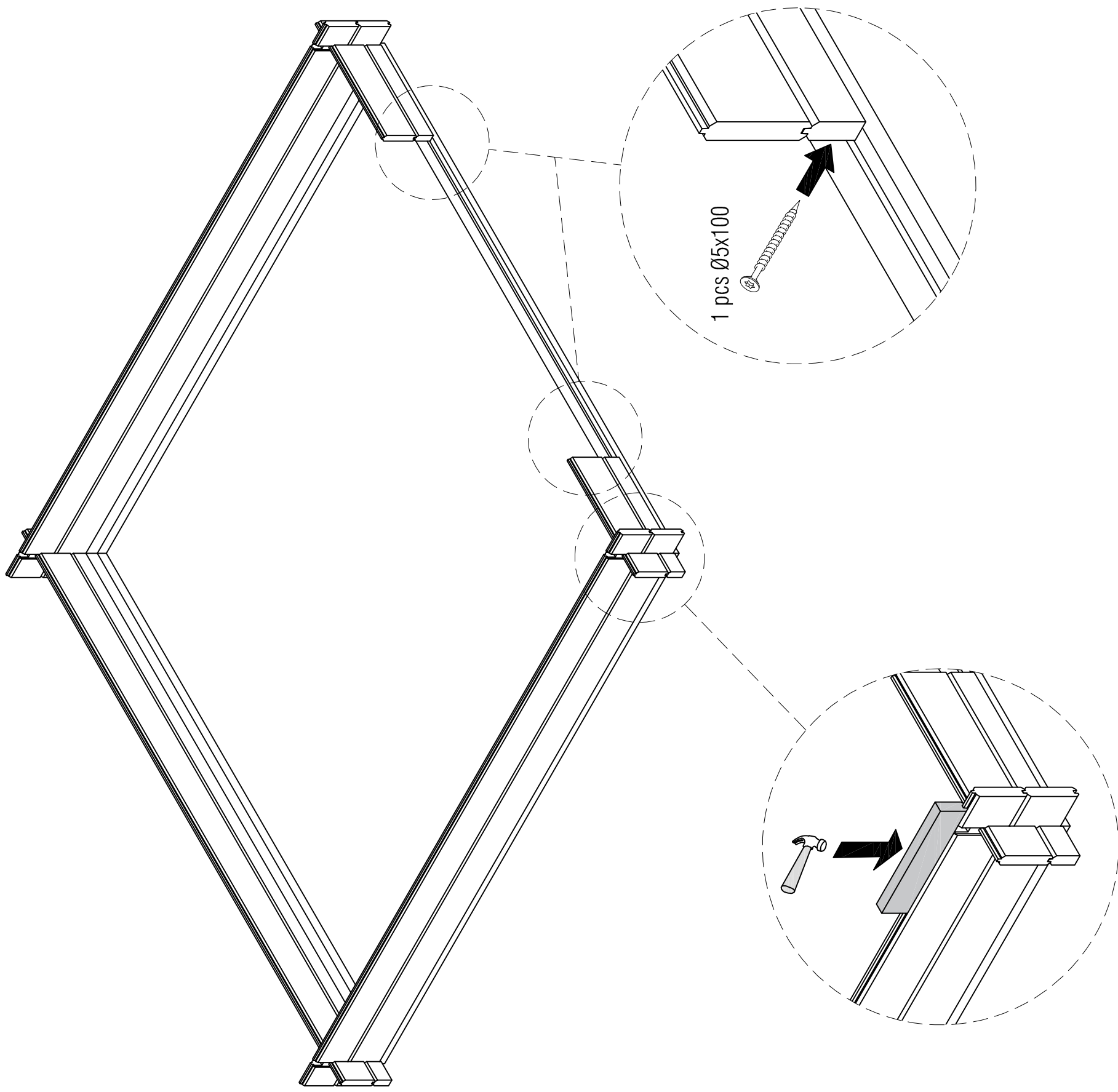
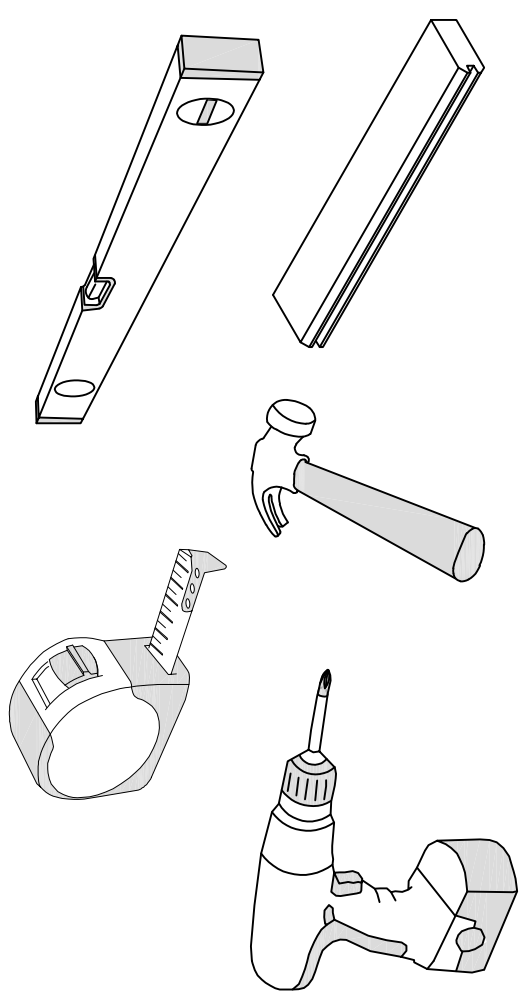


Base beam 38x69

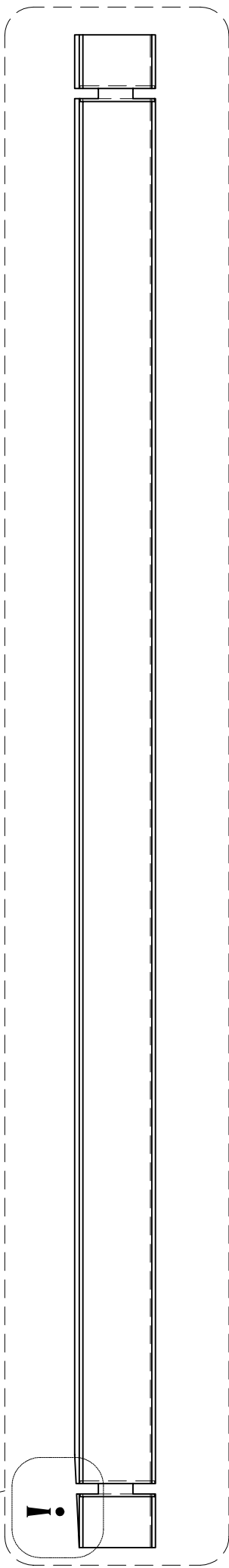
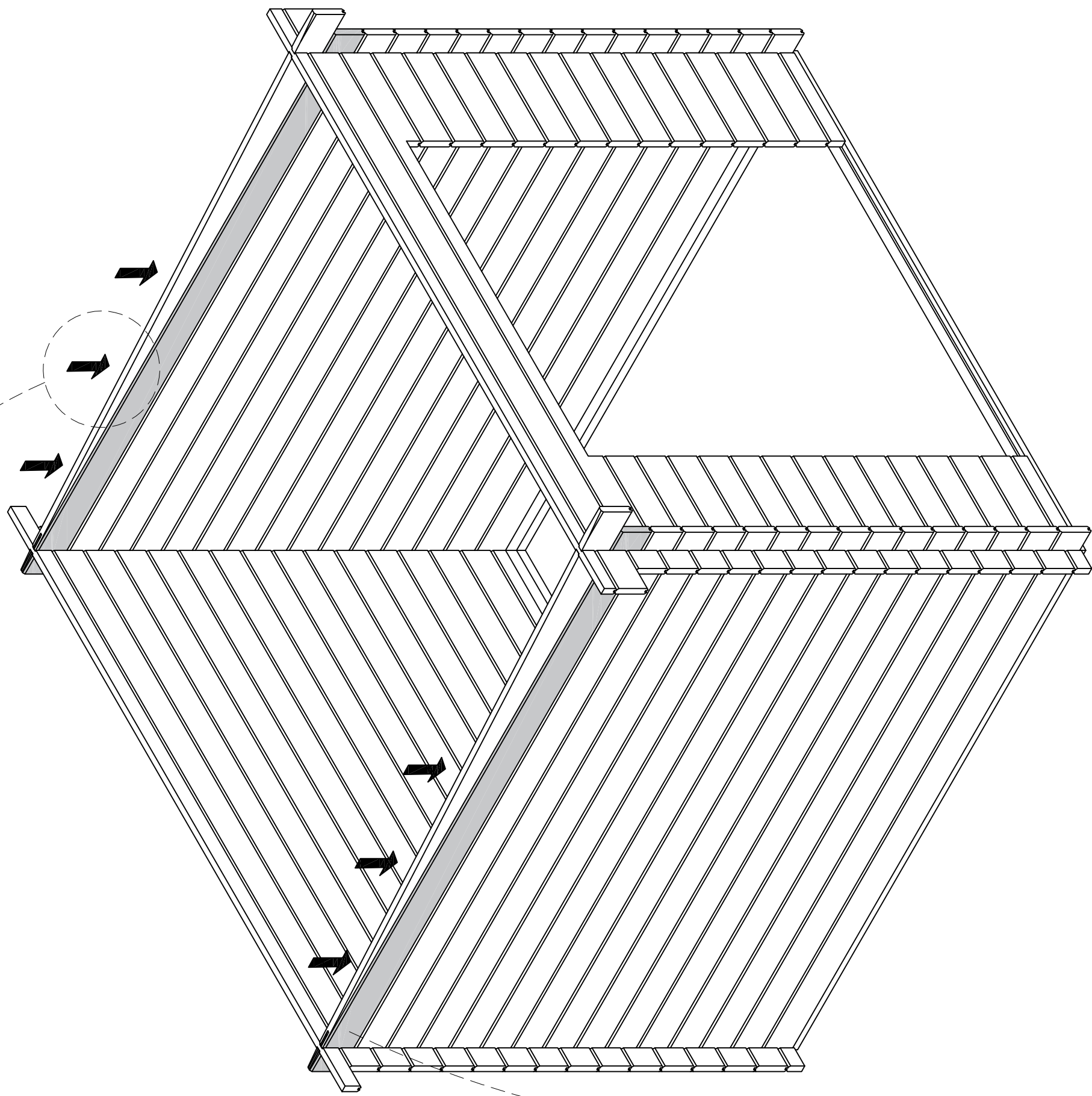
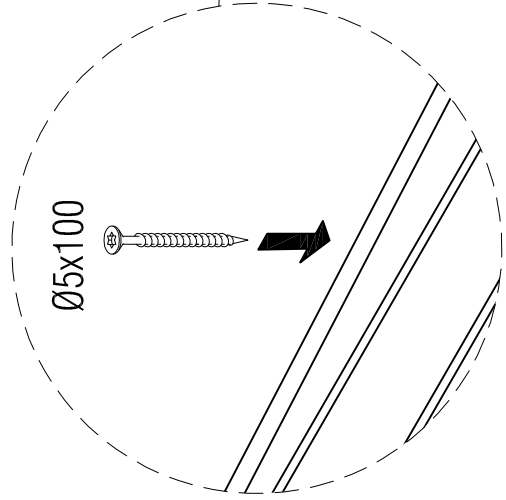
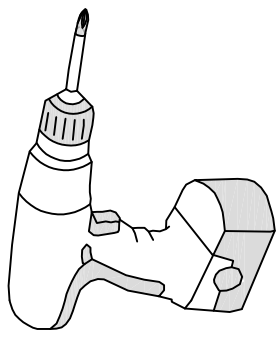
\*Not included



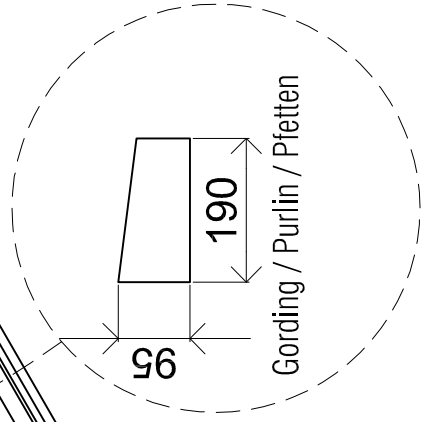
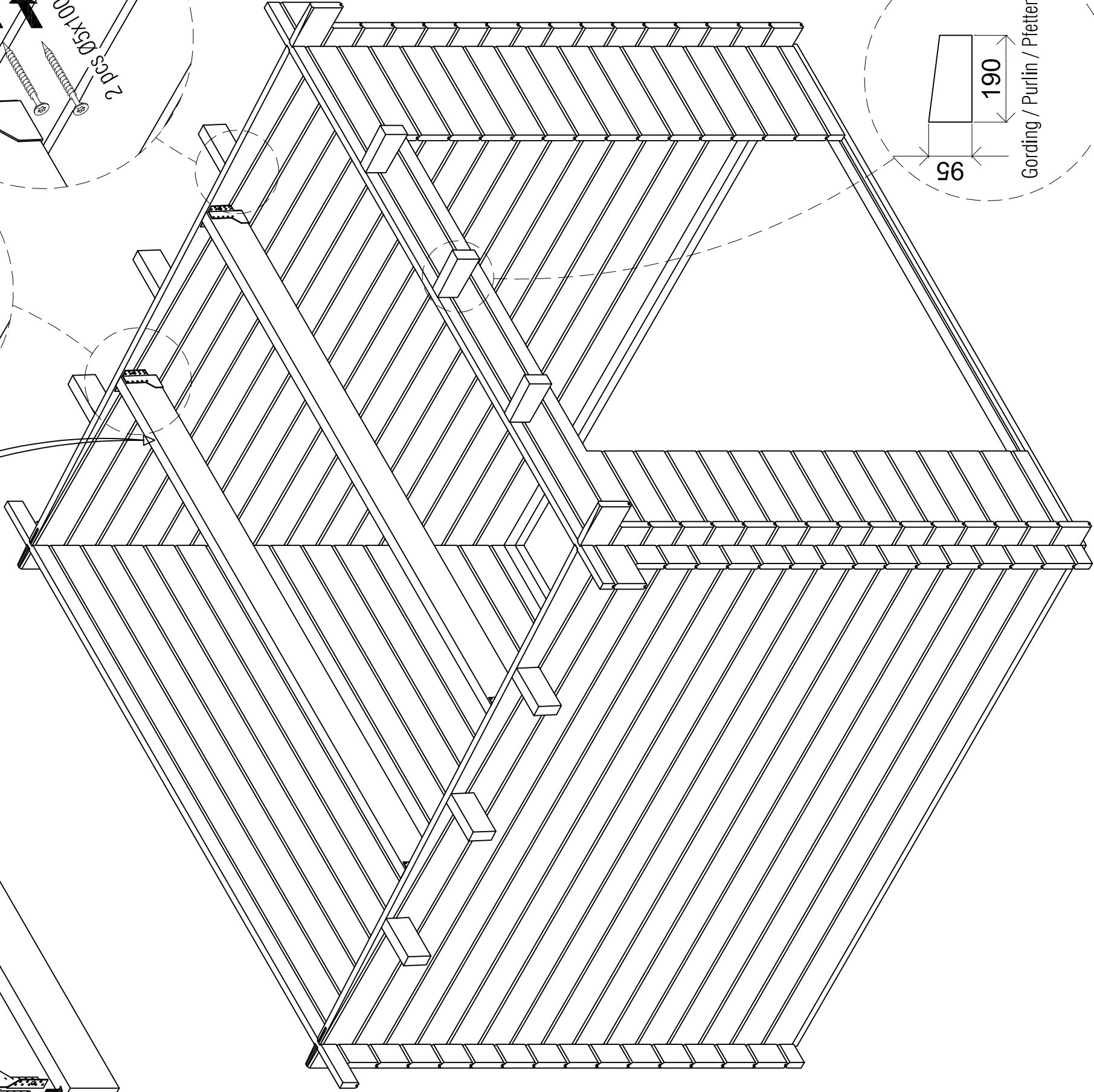
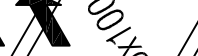
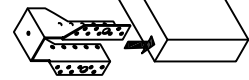
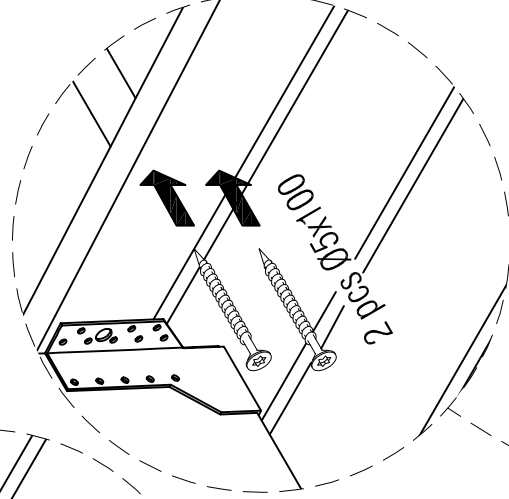
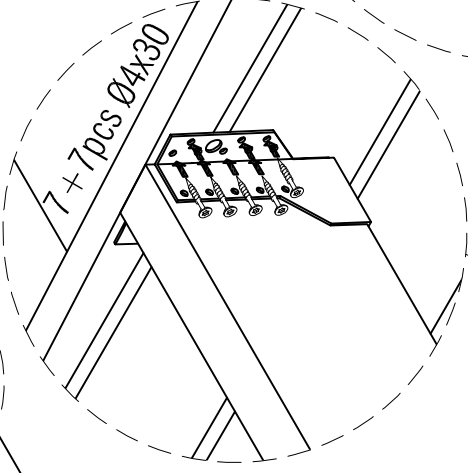
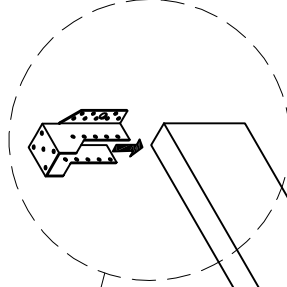
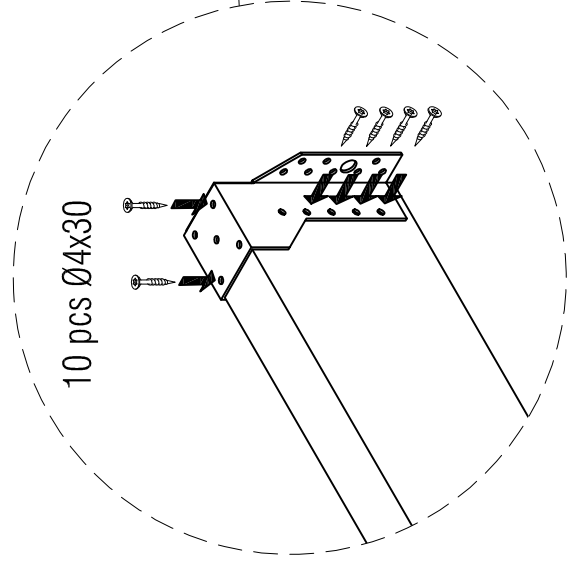
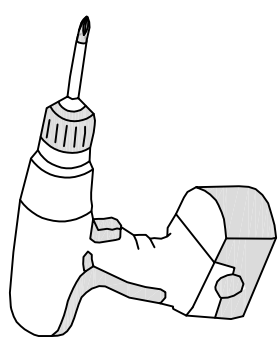
# BASIC - PENT



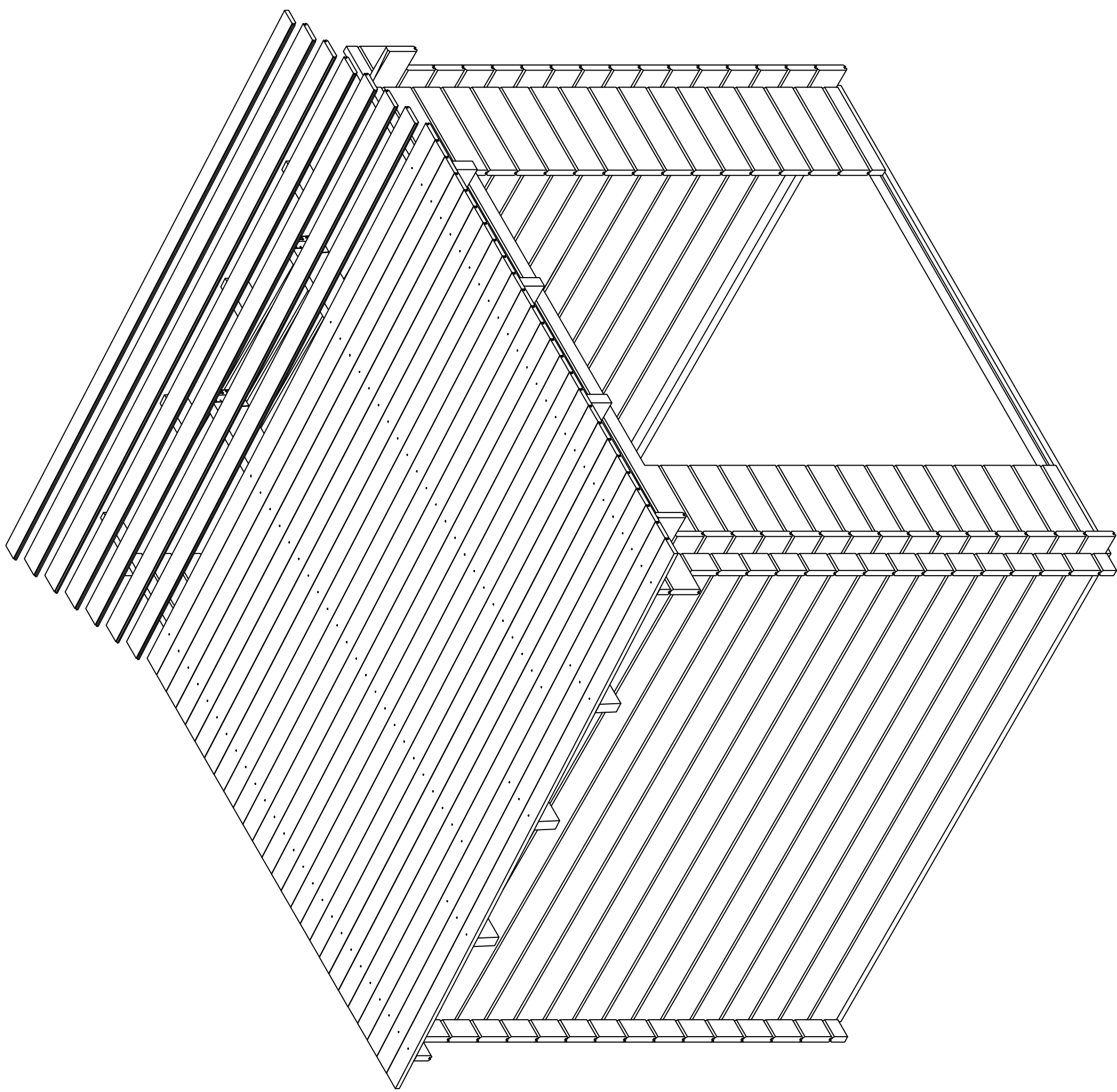
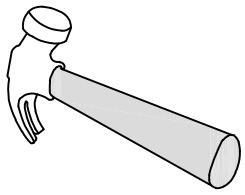
BASIC - PENT



# BASIC - PENT



# BASIC - PENT

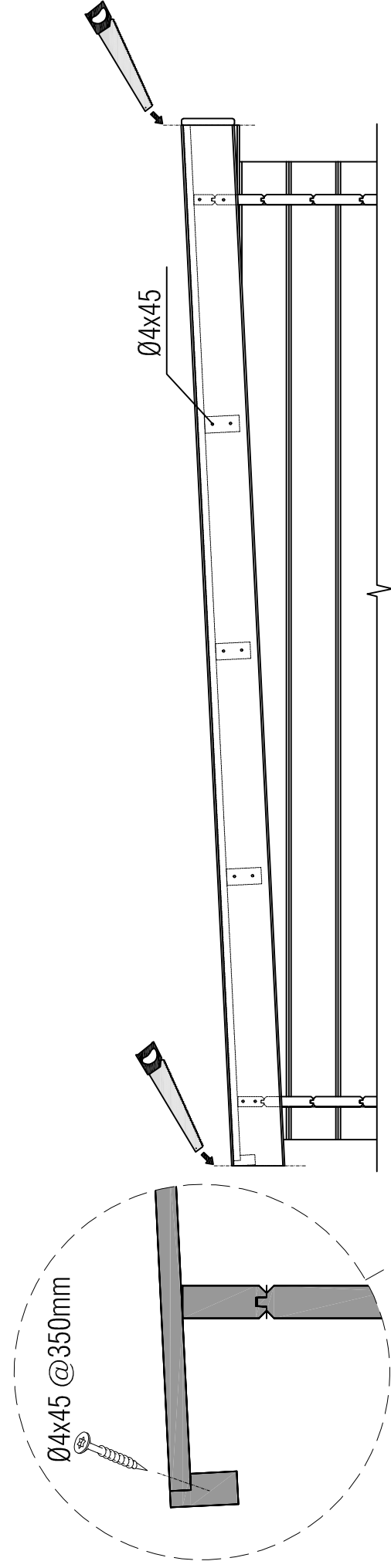
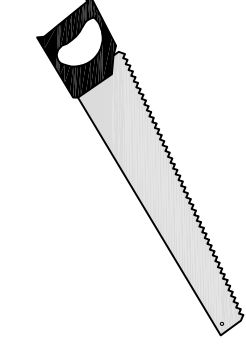


Roofboard 18x95mm

Nail Ø2,7x55



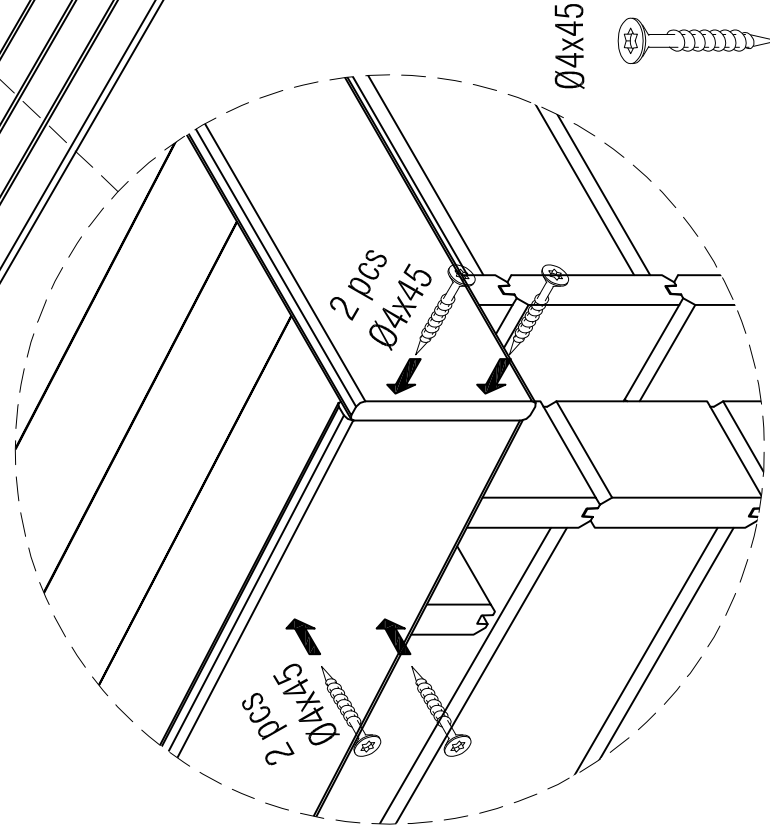
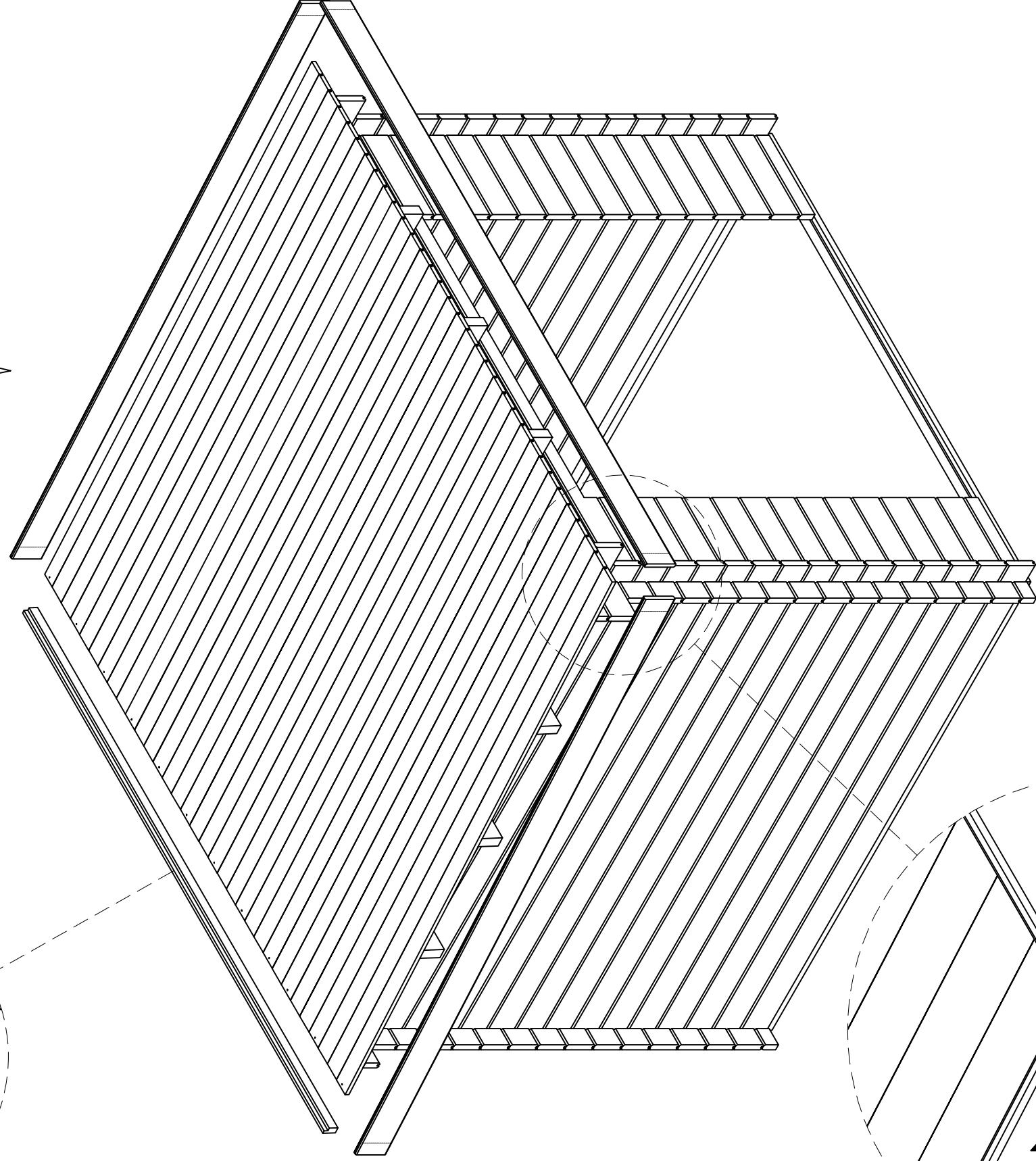
# BASIC - PENT



$\text{Ø}4 \times 45$  @ 350mm



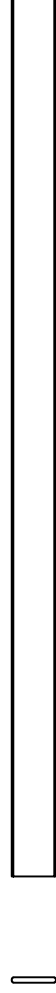
$\text{Ø}4 \times 45$



2 pcs  
 $\text{Ø}4 \times 45$

2 pcs  
 $\text{Ø}4 \times 45$

$\text{Ø}4 \times 45$

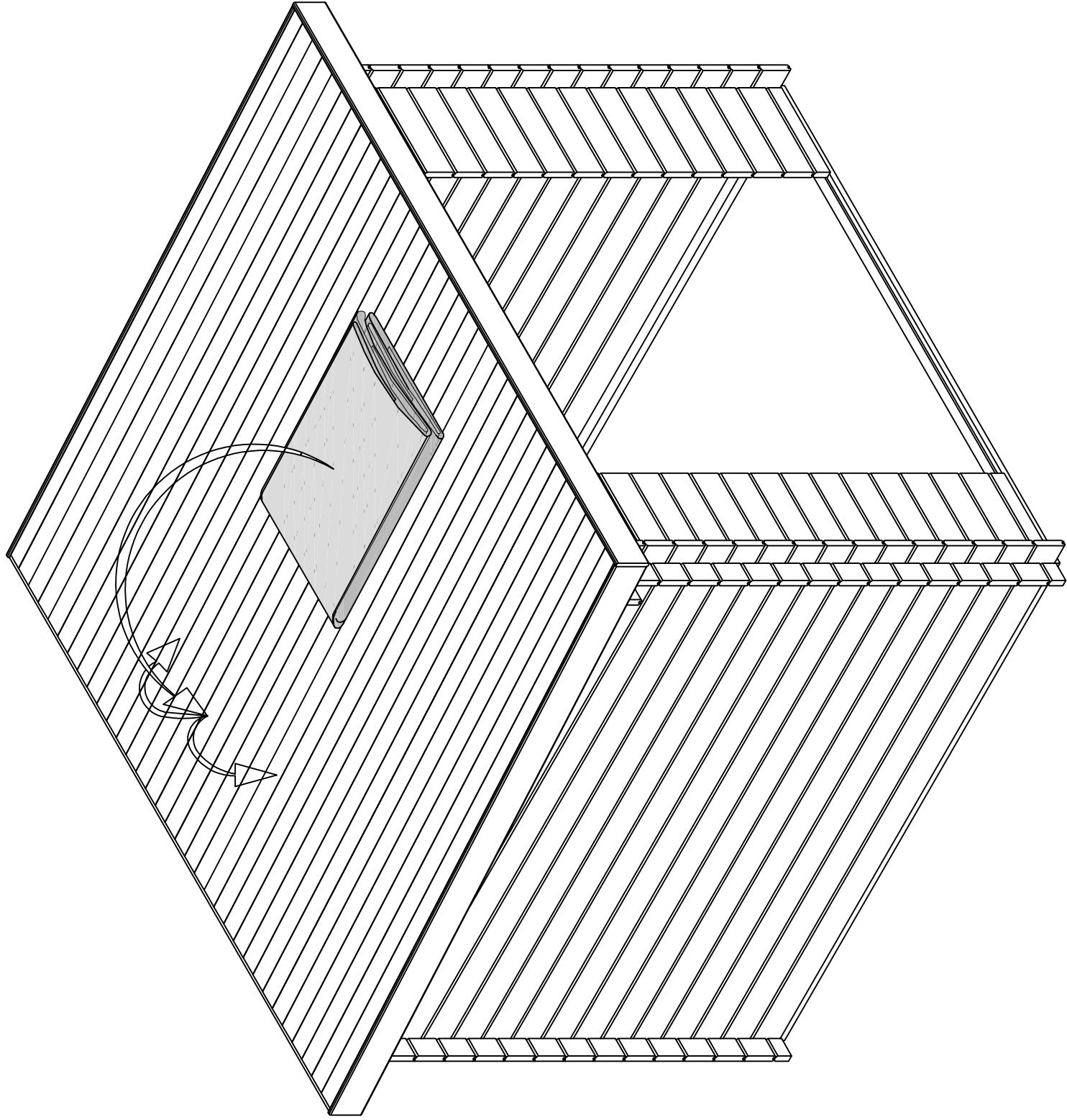


Facia 18x145

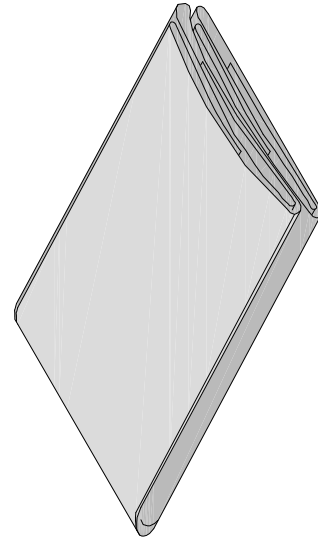


Facia 28x58

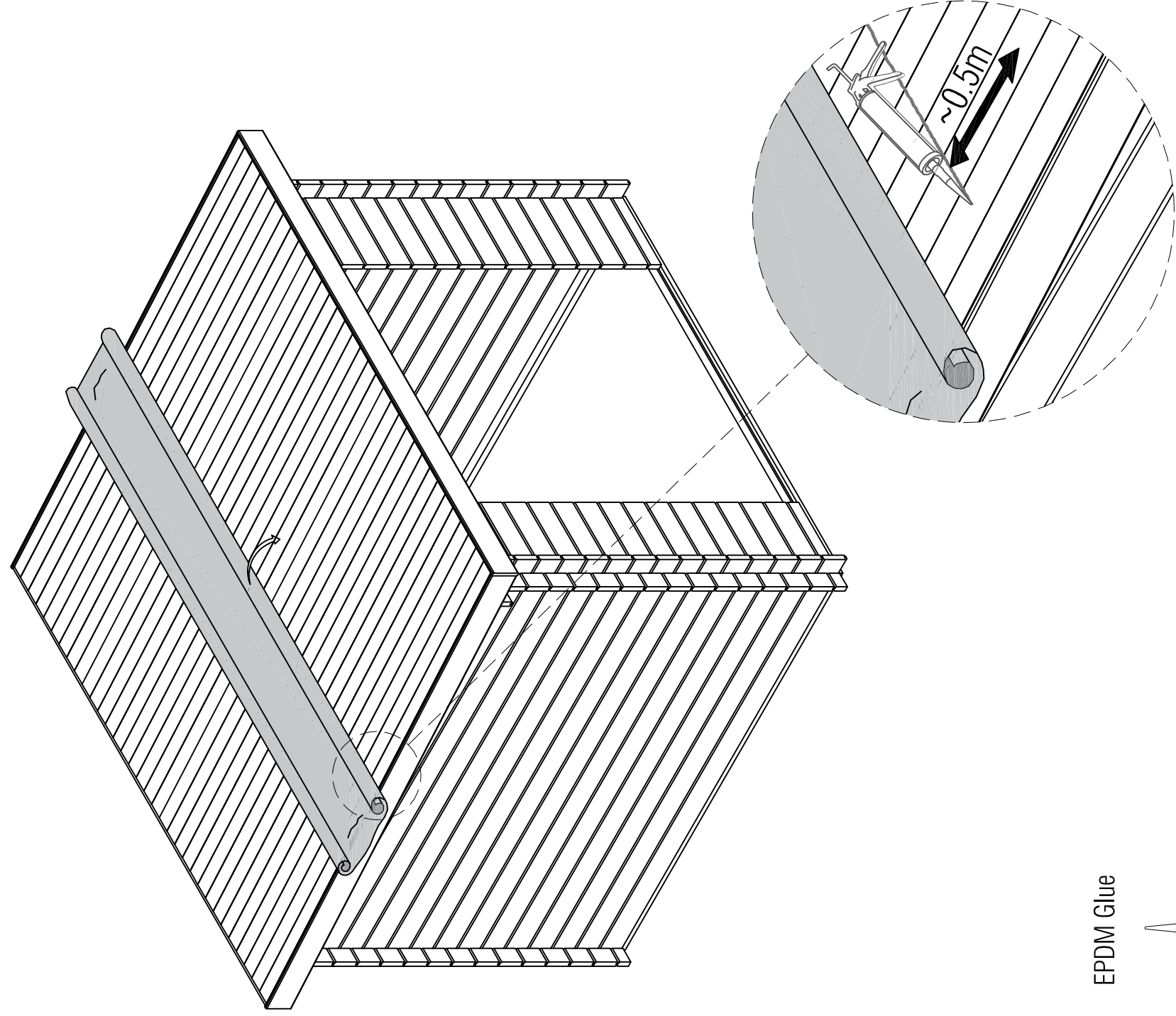
BASIC - PENT



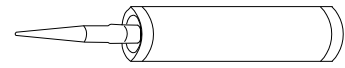
EPDM rubber roofing



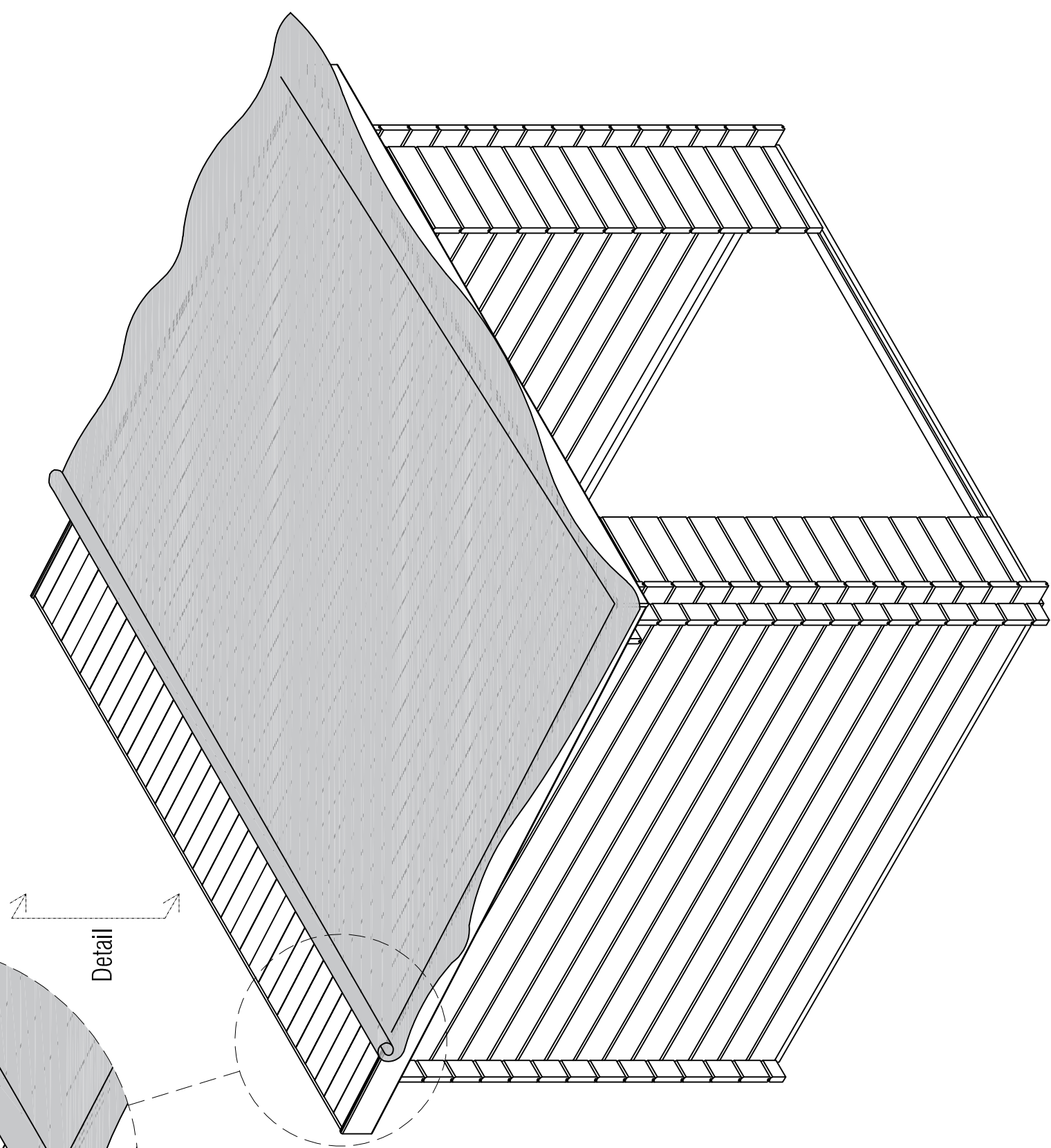
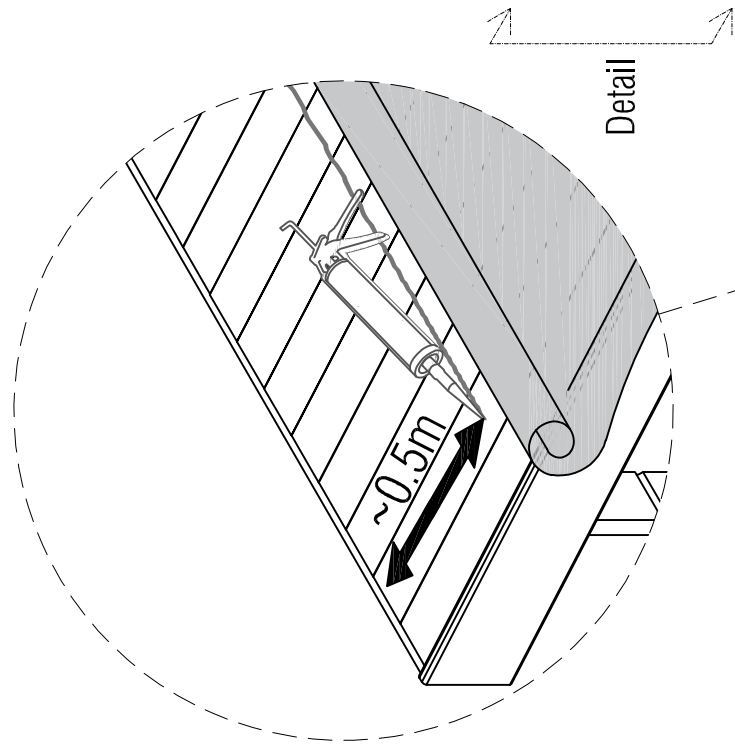
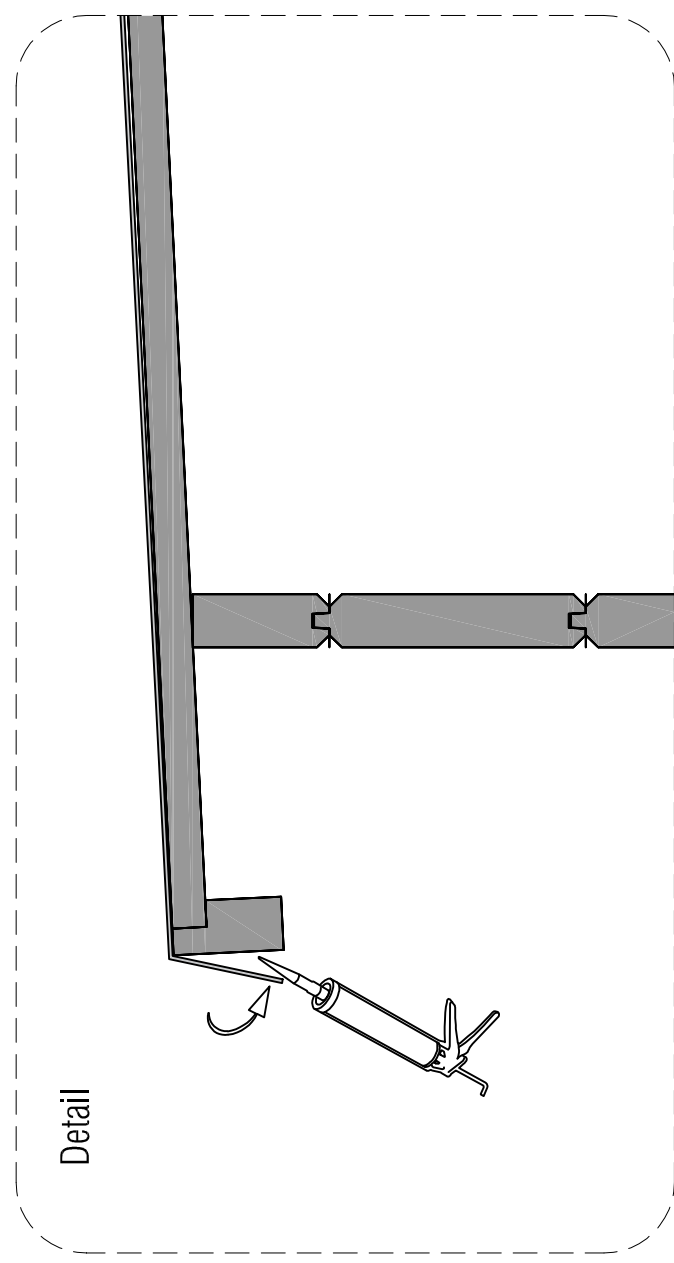
# BASIC - PENT



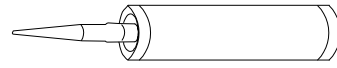
EPDM Glue



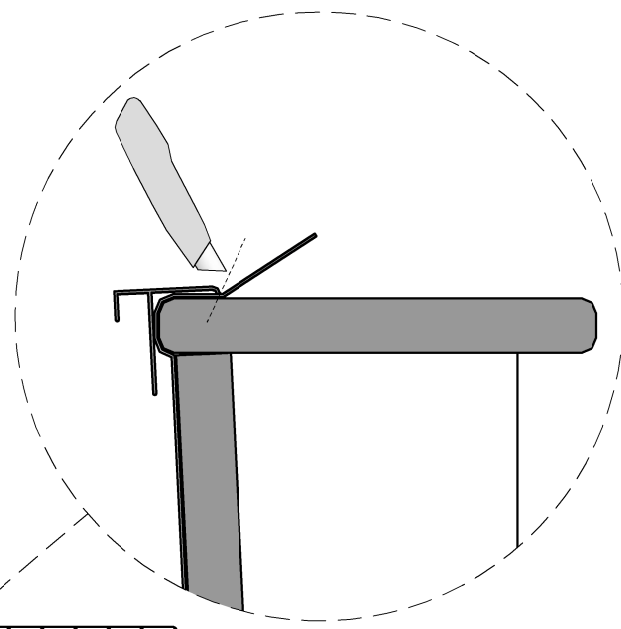
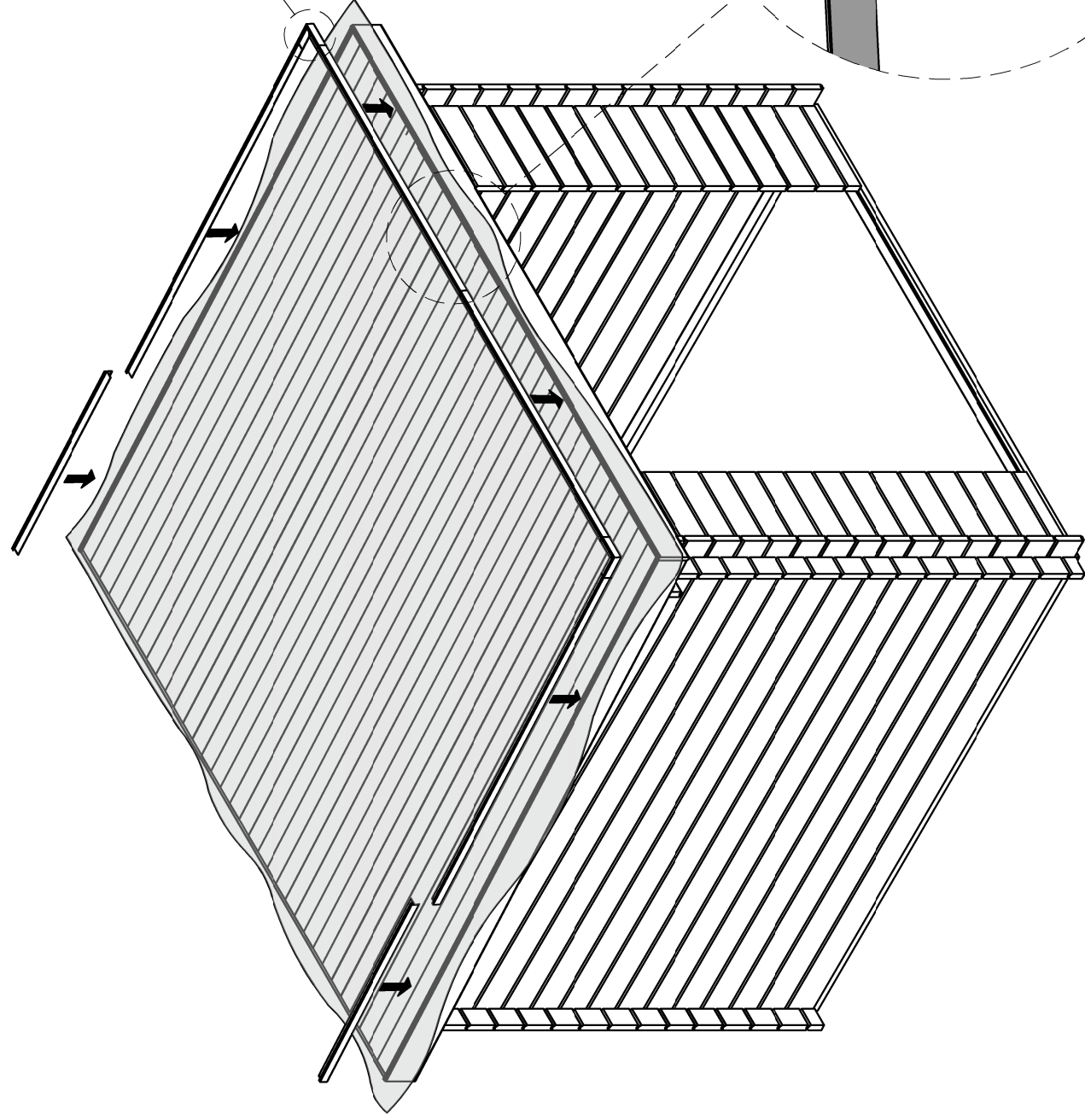
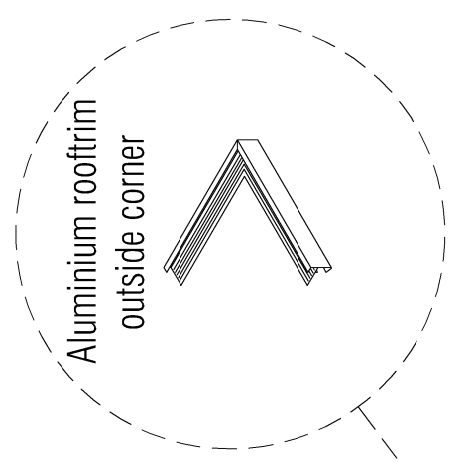
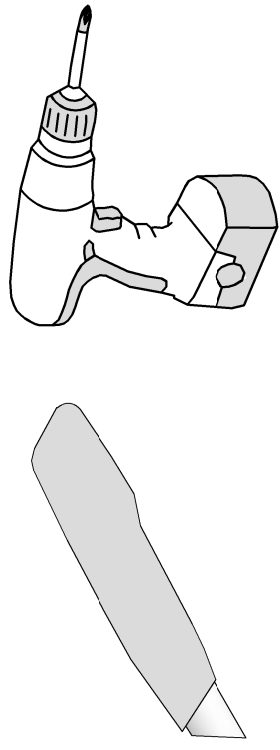
# BASIC - PENT



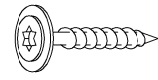
EPDM Glue



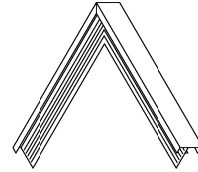
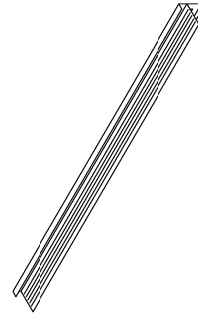
# BASIC - PENT



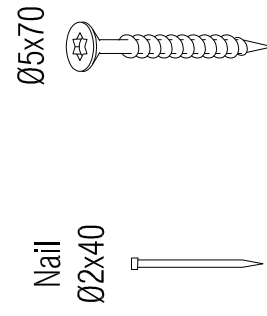
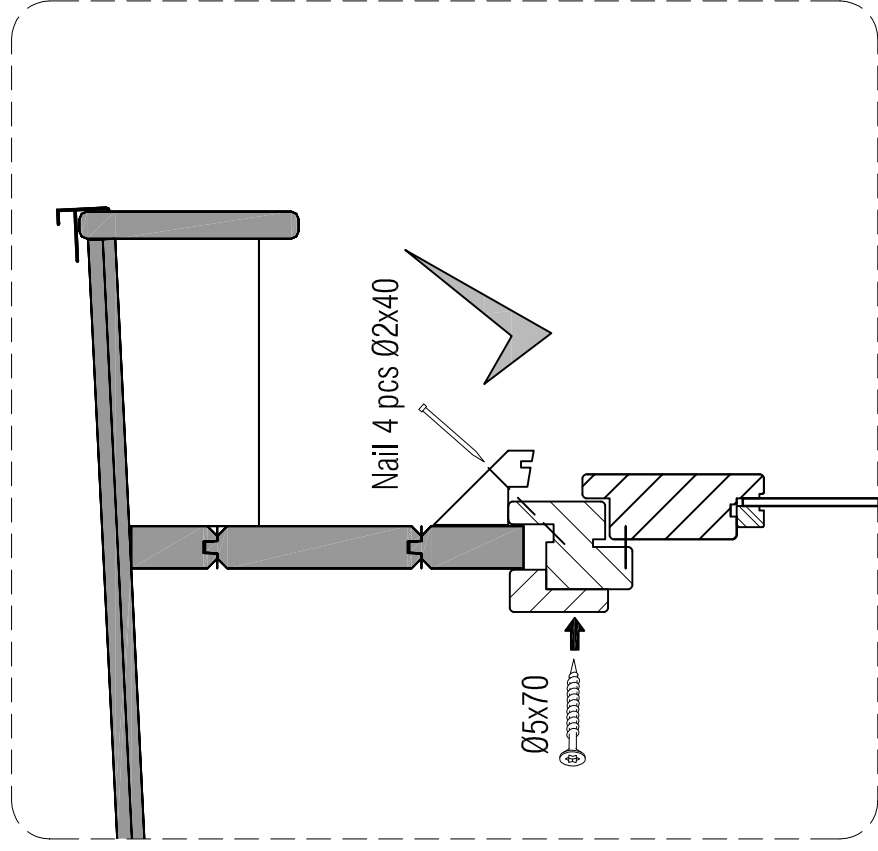
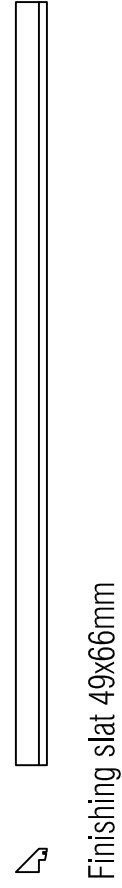
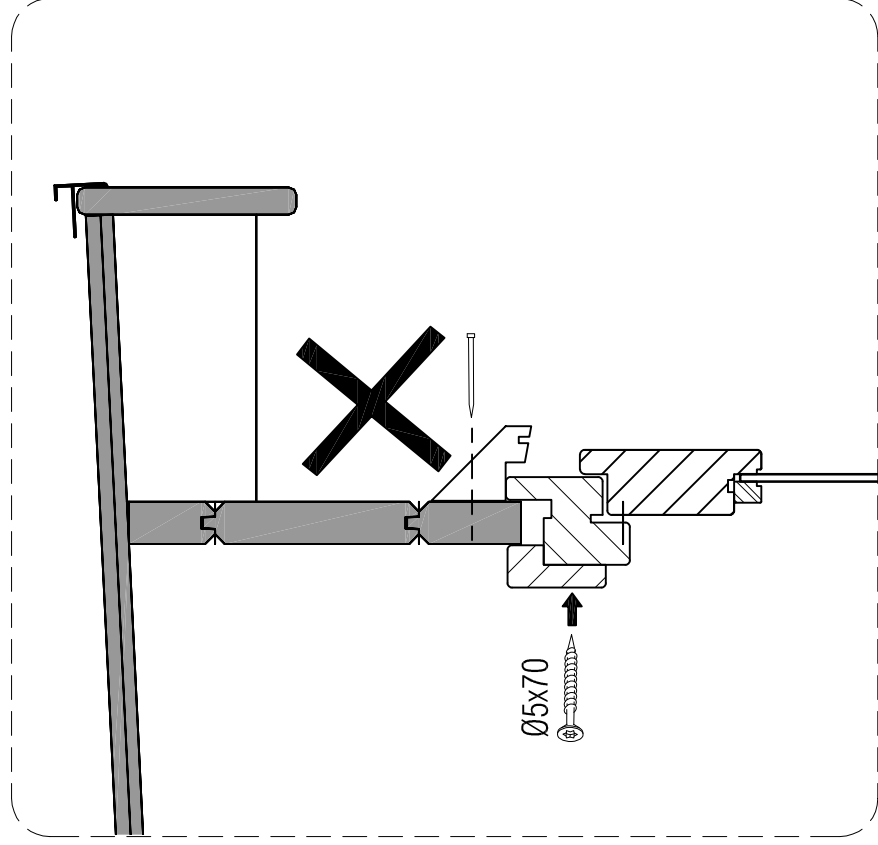
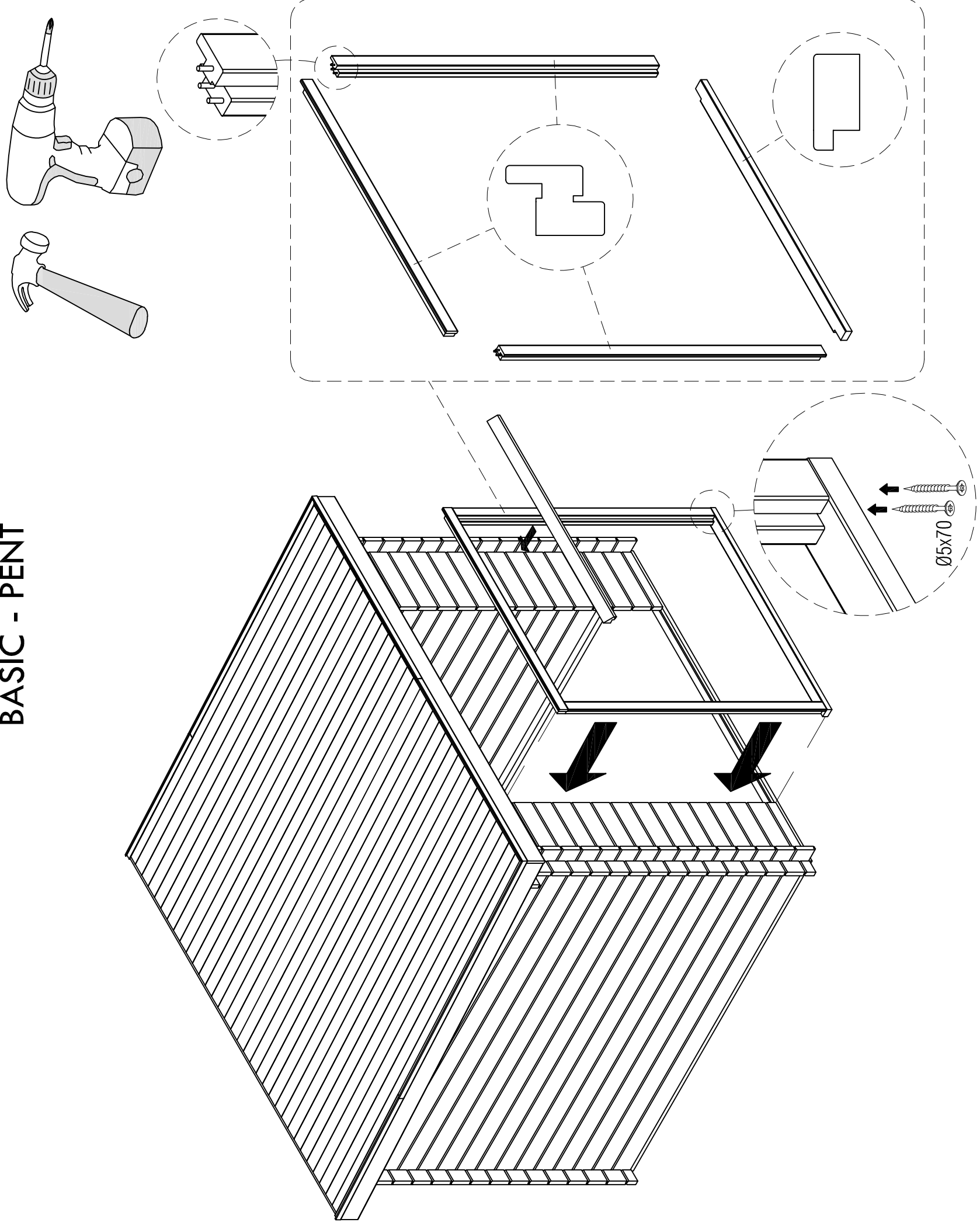
Ø4,5x30



Aluminium rooftrim



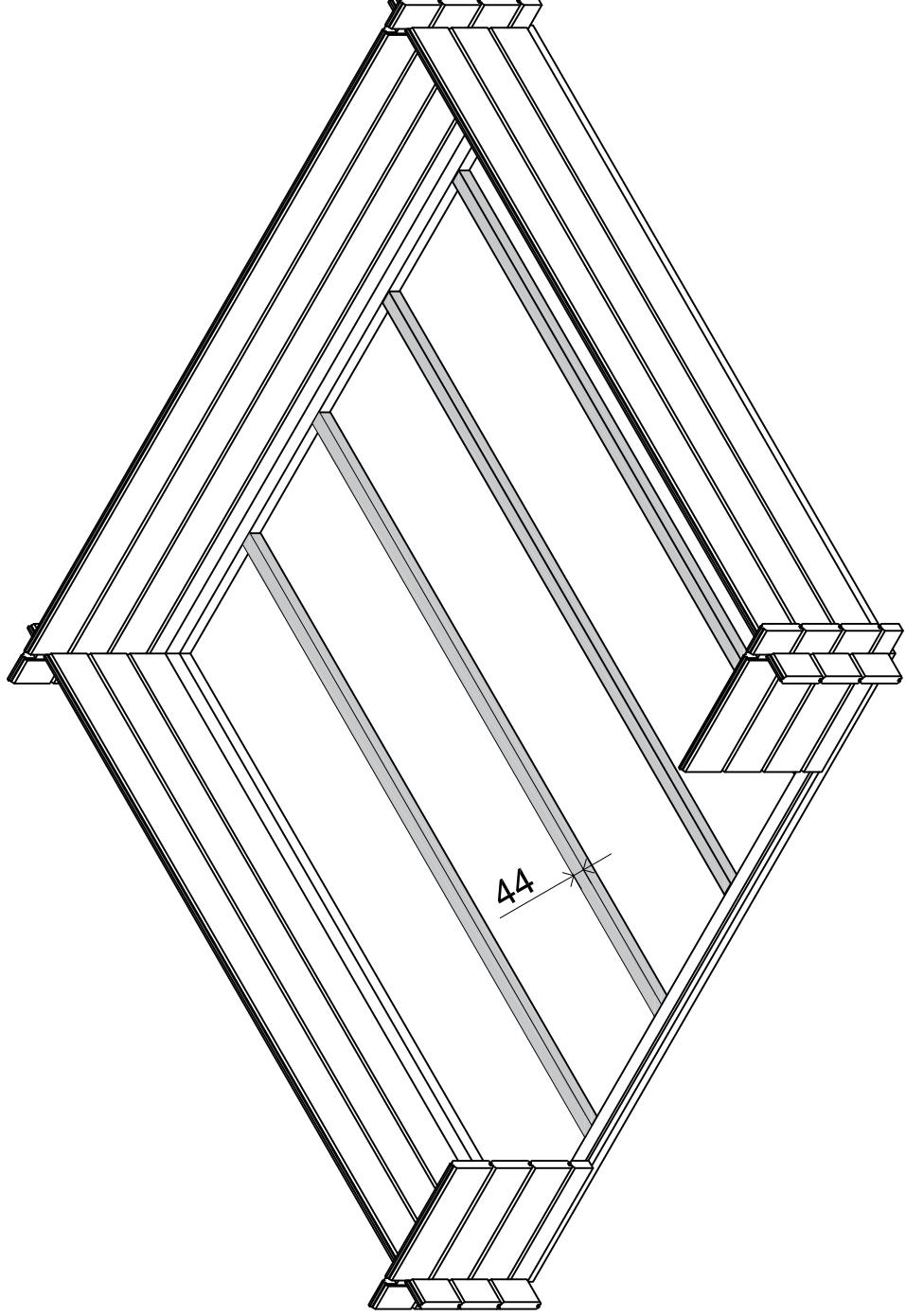
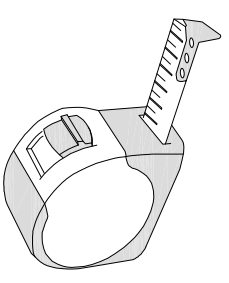
# BASIC - PENT



Finishing slat 49x66mm

# BASIC - PENT

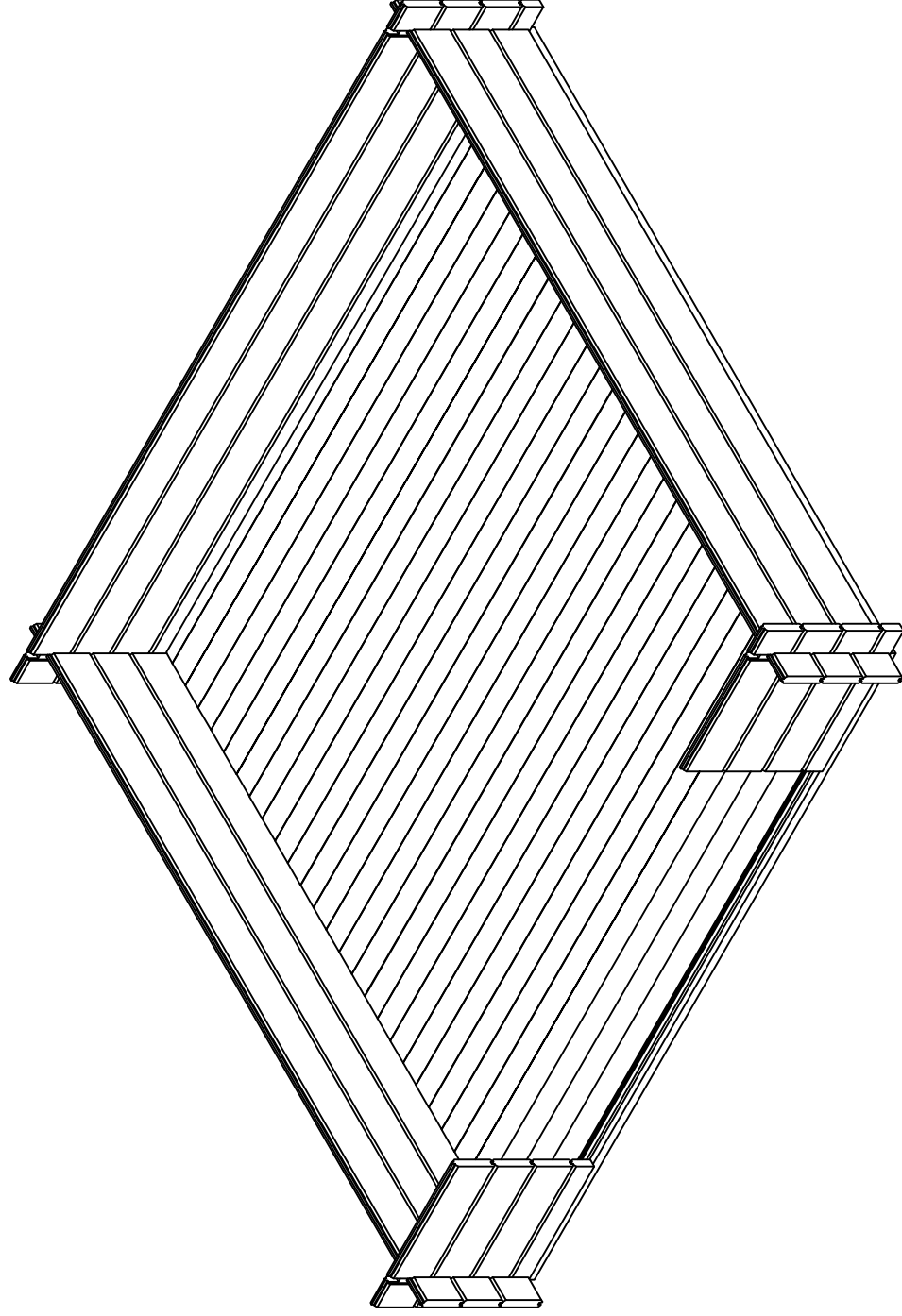
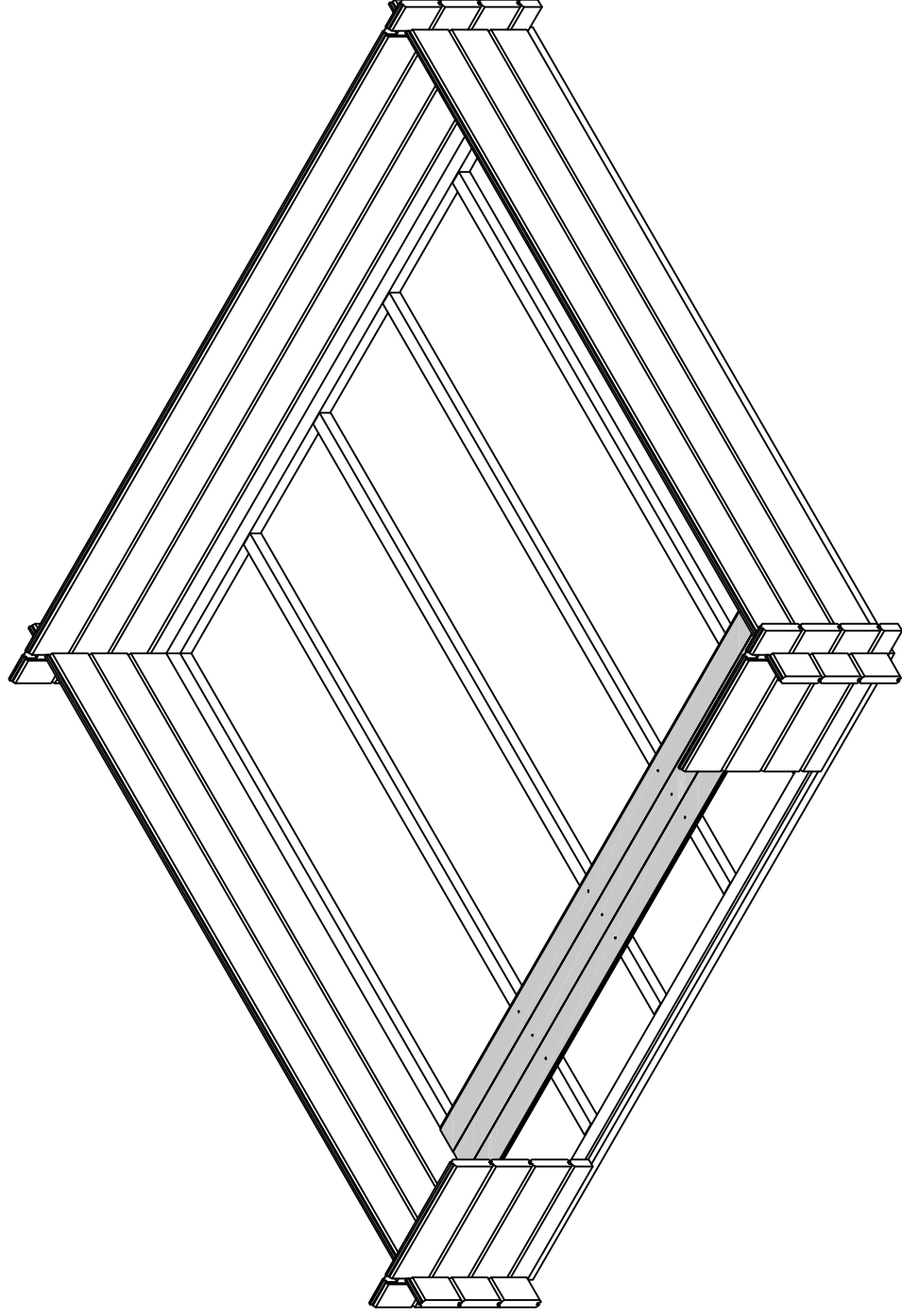
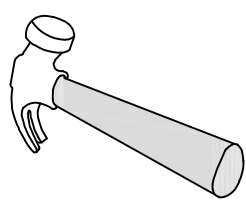
Floor kit  
(optional)



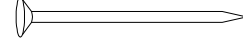
Floor beam 38x44mm

# BASIC - PENT

Floor kit  
(optional)



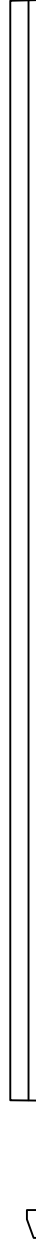
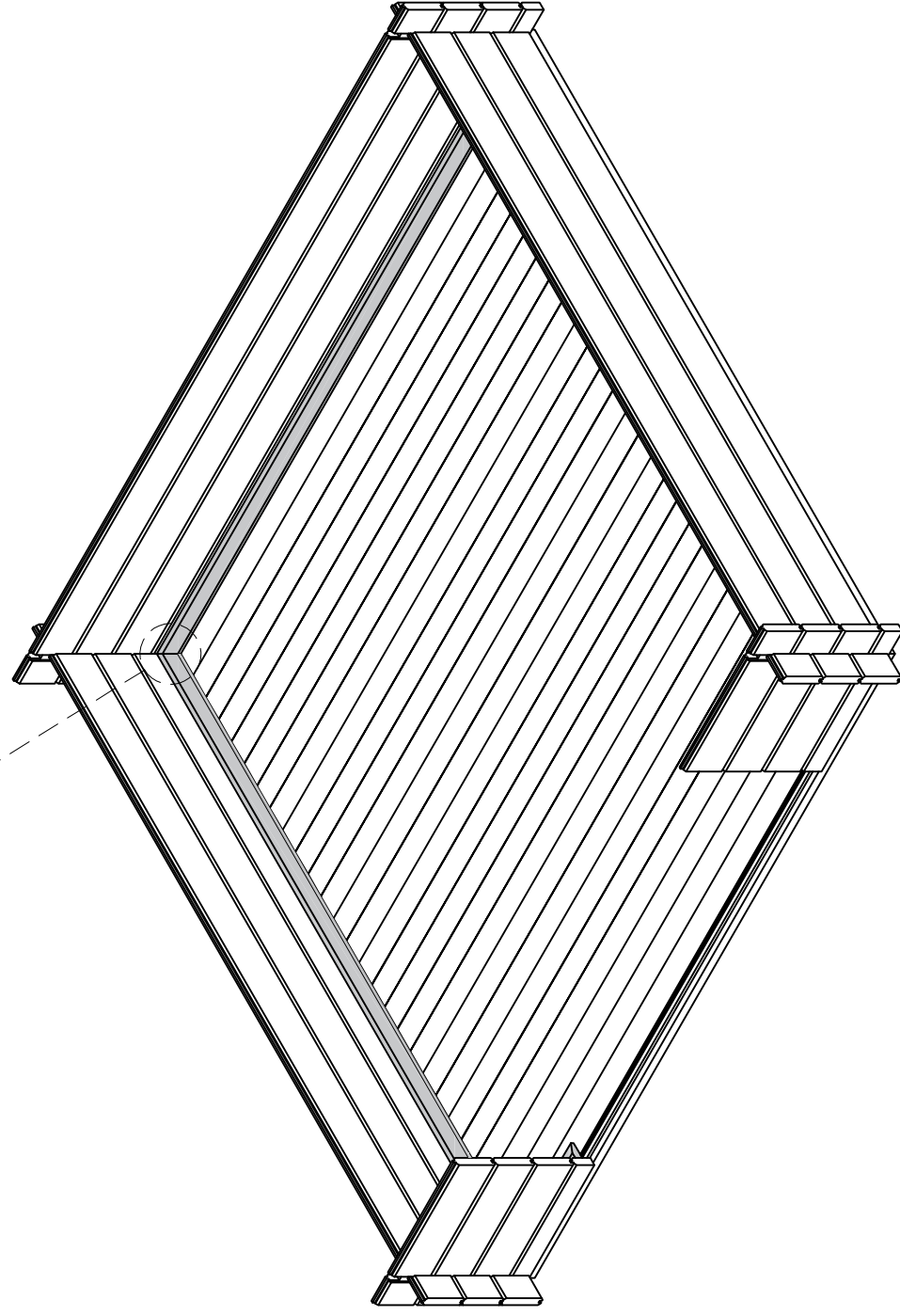
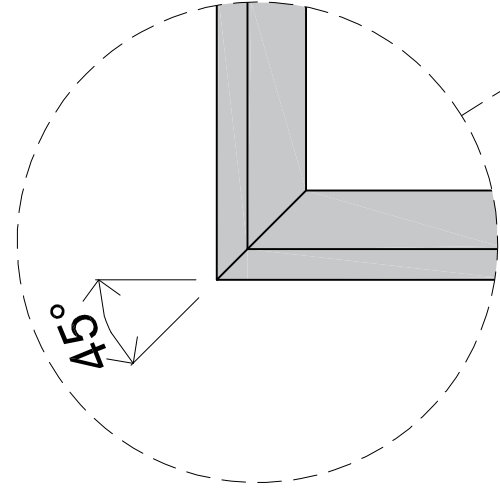
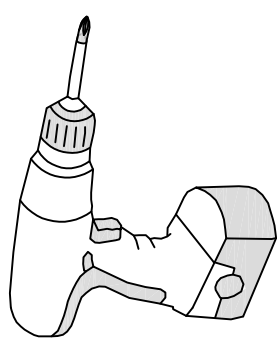
Ø2,7x55



Floor board 18x95mm

# BASIC - PENT

Floor kit  
(optional)



Skirting 24x59mm

Ø4x45

